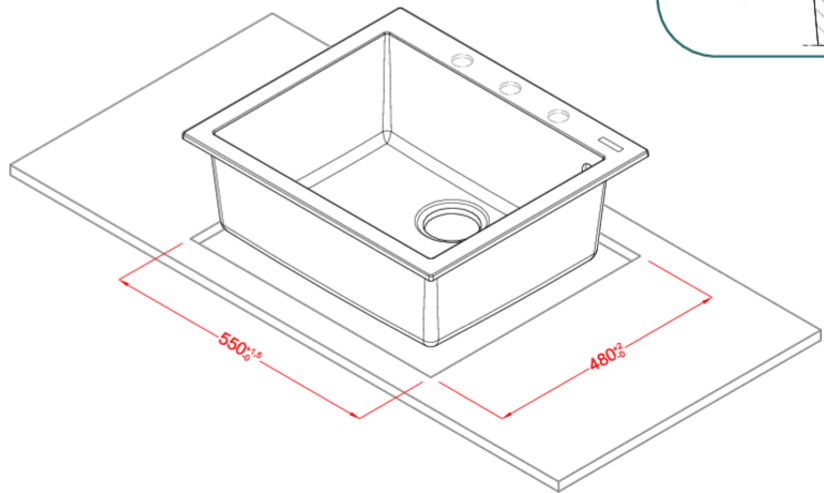
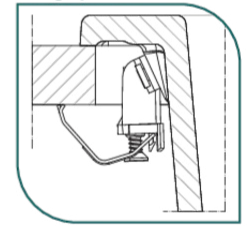


Fixing System



Quadra 105

general tolerances where not expressly communicated ±0,4%
connection dimensions according to UNI EN 695
eventual exceptions are reported with *

