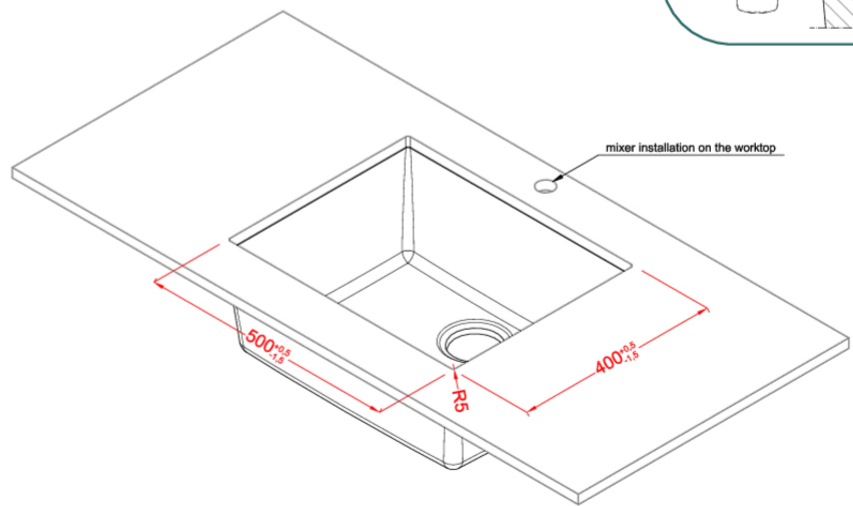
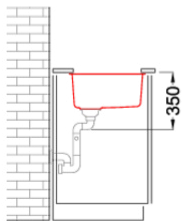
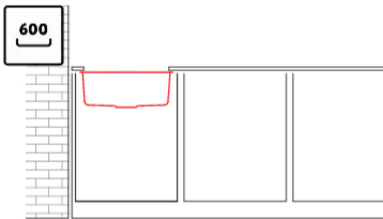
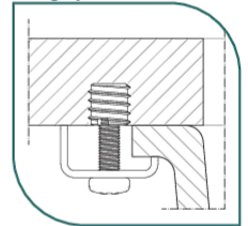


Fixing System



Quadra 105 Undermount

general tolerances where not expressly communicated $\pm 0,4\%$
 connection dimensions according to UNI EN 695
 eventual exceptions are reported with *

